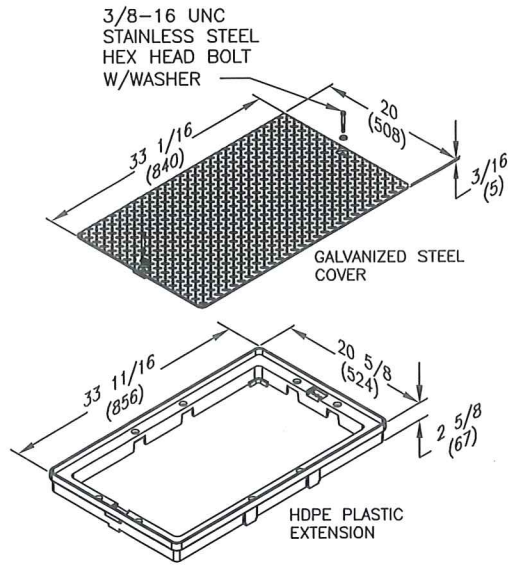
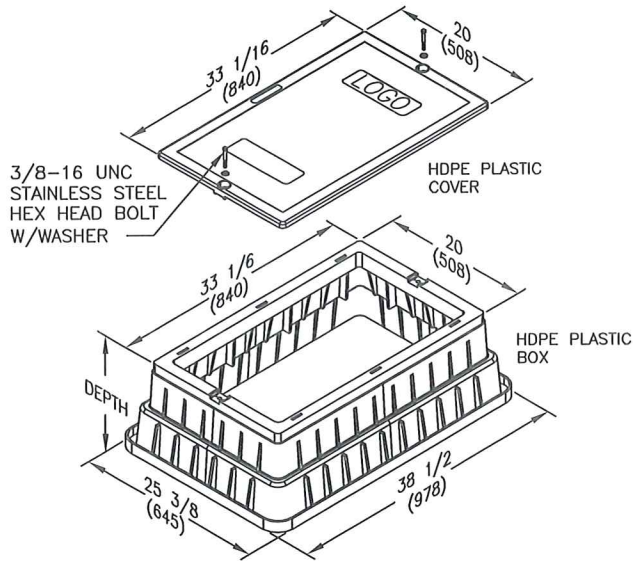


Dimensions / Data

30" PenCell PE

Hex Head Bolts are Standard



Assemblies

DESCRIPTION	DEPTH	TIER	DESIGN / TEST LOAD	WEIGHT	PALLET QTY	OLD PART NO.	NEW PART NO.
Box & HDPE Cover	12"	N/A	N/A / 5,000	35	20	PE-30-12HDH	PE3012HDH00***
Box & Steel Cover	12"	N/A	N/A / 10,000	57	14	PE-30-12UH	PE3012UPH00***
Box & HDPE Cover	17"	N/A	N/A / 5,000	38	18	PE-30-HDH	PE30HDH00***
With Penta Blt/Crimp	17"	N/A	N/A / 5,000	38	16	PE-30HDXCL	PE30HDXCL***
Box & Steel Cover	17"	N/A	N/A / 10,000	60	12	PE-30-UH	PE30UPH00***
With Ground Lug	17"	N/A	N/A / 10,000	60	12	PE-30-UHG	PE30UPHGR***
Box & HDPE Cover W/ 2" Top Ext	19"	N/A	N/A / 5,000	43	16	PE-30HDH-2	PE30H2H00***
With 2" Top Ext & GL	19"	N/A	N/A / 10,000	65	12	PE-30-UH-2	PE30S2HGR***

Covers

DESCRIPTION	TIER	DESIGN / TEST LOAD #	WEIGHT #	MATERIAL	OLD PART NO.	NEW PART NO.
HDPE	N/A	N/A / 5,000	13	HDPE	PE-30-PLH	PE30PLI12***
HDPE w/ Penta	N/A	N/A / 5,000	13	HDPE	PE-30-PLXCL	PE30PLI07***
Steel	N/A	N/A / 10,000	35	Steel	PE-30-SLH	PE30SLH00***

Replace *** with a logo code found on page 188.

Boxes

DESCRIPTION	DEPTH	TIER	DESIGN / TEST LOAD #	WEIGHT #	PALLET QTY	OLD PART NO.	NEW PART NO.
Open Bottom	12"	N/A	N/A / 5,000	22	20	PE-30-12GS	PE3012GSI01
Open Bottom	17"	N/A	N/A / 5,000	25	18	PE-30-GS	PE30GSI01

Extension

DESCRIPTION	DEPTH	TIER	DESIGN / TEST LOAD #	WEIGHT #	PALLET QTY	OLD PART NO.	NEW PART NO.
2" Top Spacer	2"	N/A	N/A / 5,000	N/A	N/A	PE-30-2	PE30G2

PENCELL

N273WR →