



ASTM D3034: Solvent Weld PVC Pipe

Plumbing & Irrigation Gravity Sewer & Storm Water

North American Pipe Corporation's ASTM D3034 Solvent Weld PVC Pipe product line is manufactured to meet the needs of residential waste water control; residential, commercial, industrial, and agricultural rain and storm runoff systems; and other non-pressure applications. With top quality raw materials and modern processing technology, our ASTM D3034 pipe meets all industry standards in addition to our own rigorous quality control standards.

North American Pipe produces ASTM D3034 Solvent Weld PVC pipe in both solid wall and various perforated styles.

Whether specifying or installing our pipe, you can be assured that North American Pipe will provide the pipe "Right, On Time, All the Time".



Pipe Standard:	ASTM D3034
Diameter Standard:	PSM
Nominal Sizes:	4", 6", 8", 10", 12", 15"
Pipe Compound:	ASTM D1784 Cell Class 12454
Dimension Ratios & Pipe Stiffness:	SDR 35 – 46 psi SDR 26 – 115 psi SDR 23.5 – 153 psi
Lay Length:*	10', 14', or 20'
Color:	Green
Pipe Options:*	Solid Wall Plain End (M x M) Solid Wall Bell End (M x F) 2 Hole Perforated Bell End (M x F) 3 Hole Perforated Bell End (M x F)
Certifications:	IAPMO Uniform Plumbing Code**
Installation Std.:	ASTM D2321 & ASTM D2855

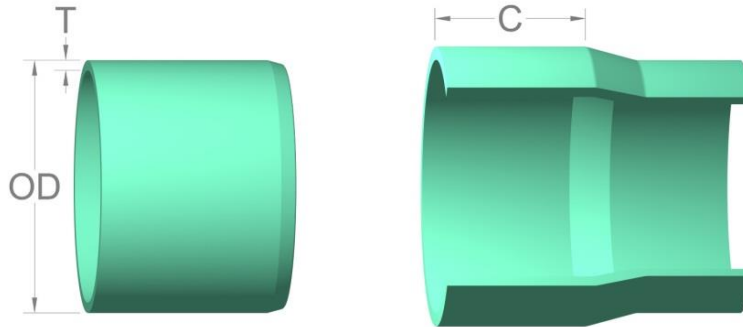
* Consult our Customer Service or Sales Department for availability of lay length and options for a given nominal size and dimension ratio.

** IAPMO Uniform Plumbing Code listed products must be requested at time of order.

TDS-D3034-2 Rev: A00



ASTM D3034: Solvent Weld PVC Pipe



NOMINAL PIPE SIZE	OUTSIDE DIAMETER (OD)	MINIMUM WALL THICKNESS (T)			APPROX. BELL DEPTH (C)
		PS 46 SDR 35	PS 115 SDR 26	PS 153 SDR 23.5	
4"	4.215	.120	.162	.178	3.750
6"	6.275	.180	.241	.265	5.000
8"	8.400	.240	.323	---	---
10"	10.500	.300	.404	---	---
12"	12.500	.360	.481	---	---
15"	15.300	.437	.588	---	---

Notes:

1. These dimensions are for estimating purposes only. All dimension are in inches.
2. SDR = Standard Dimension Ratio
3. PS = Pipe Stiffness(psi). This is a property that defines the pipe's ability to resist external loading.

Perforated Bell End Pipe:

Number of Holes Per Row:	2	3
Perforation Hole Diameter:	½"	½"
Circumferential Hole Spacing:	120°	60°
Longitudinal Row Spacing:	5"	5"

