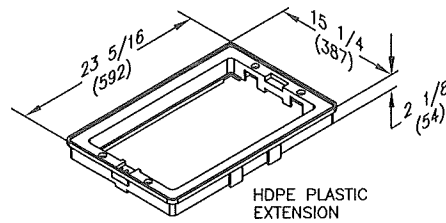
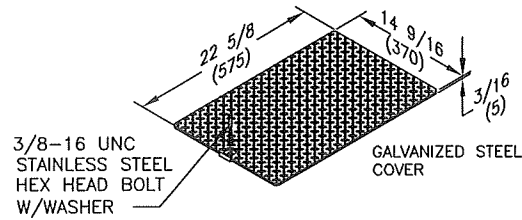
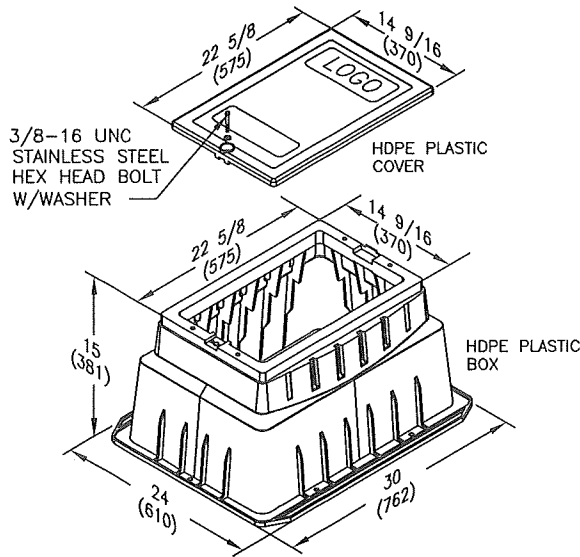


Dimensions / Data

20" PenCell PE

Hex Head Bolts are Standard



Assemblies

DESCRIPTION	DEPTH	TIER	DESIGN / TEST LOAD	WEIGHT	PALLET QTY	OLD PART NO.	NEW PART NO.
Box & HDPE Cover	17"	N/A	N/A / 5,000	23	40	PE-20HDH	PE20HDH00***
W/ Penta Bolt/Crimp	17"	N/A	N/A / 5,000	23	40	PE-20HDXCL	PE20HDXCL***
Box & Steel Cover	17"	N/A	N/A / 10,000	34	32	PE-20-UH	PE20UPH00***
With Ground Lug	17"	N/A	N/A / 10,000	34	32	PE-20-UHG	PE20UPHGR***
Box & HDPE Cover							
With 2" Spacer Ext	19"	N/A	N/A / 5,000	28	32	PE-20HDH-2	PE20H2H00***
Box & Steel Cover							
With 2" Spacer Ext	19"	N/A	N/A / 10,000	39	24	PE-20-UH-2	PE20S2H00***

Covers

DESCRIPTION	TIER	DESIGN / TEST LOAD #	WEIGHT #	MATERIAL	OLD PART NO.	NEW PART NO.
HDPE	N/A	N/A / 5,000	6	HDPE	PE-20-PLH	PE20PLI12***
HDPE w/ Penta	N/A	N/A / 5,000	6	HDPE	PE-20-PLXCL	PE20PLI13***
Steel	N/A	N/A / 10,000	19	Steel	PE-20-SLH	PE20SLH00***

Replace *** with a logo code found on page 188.

Boxes

DESCRIPTION	DEPTH	TIER	DESIGN / TEST LOAD #	WEIGHT #	PALLET QTY	OLD PART NO.	NEW PART NO.
Green Open Bottom	17"	N/A	N/A / 5,000	15	40	PE-20-GS	PE20GS101
Green with Crimp Lck	17"	N/A	N/A / 5,000	15	40	PE-20-GSXCL	PE20GS103

Extension

DESCRIPTION	DEPTH	TIER	DESIGN / TEST LOAD #	WEIGHT #	PALLET QTY	OLD PART NO.	NEW PART NO.
2" Top Spacer	2"	N/A	N/A / 5,000	5	50	PE-20-2	PE20G2

PENCELL